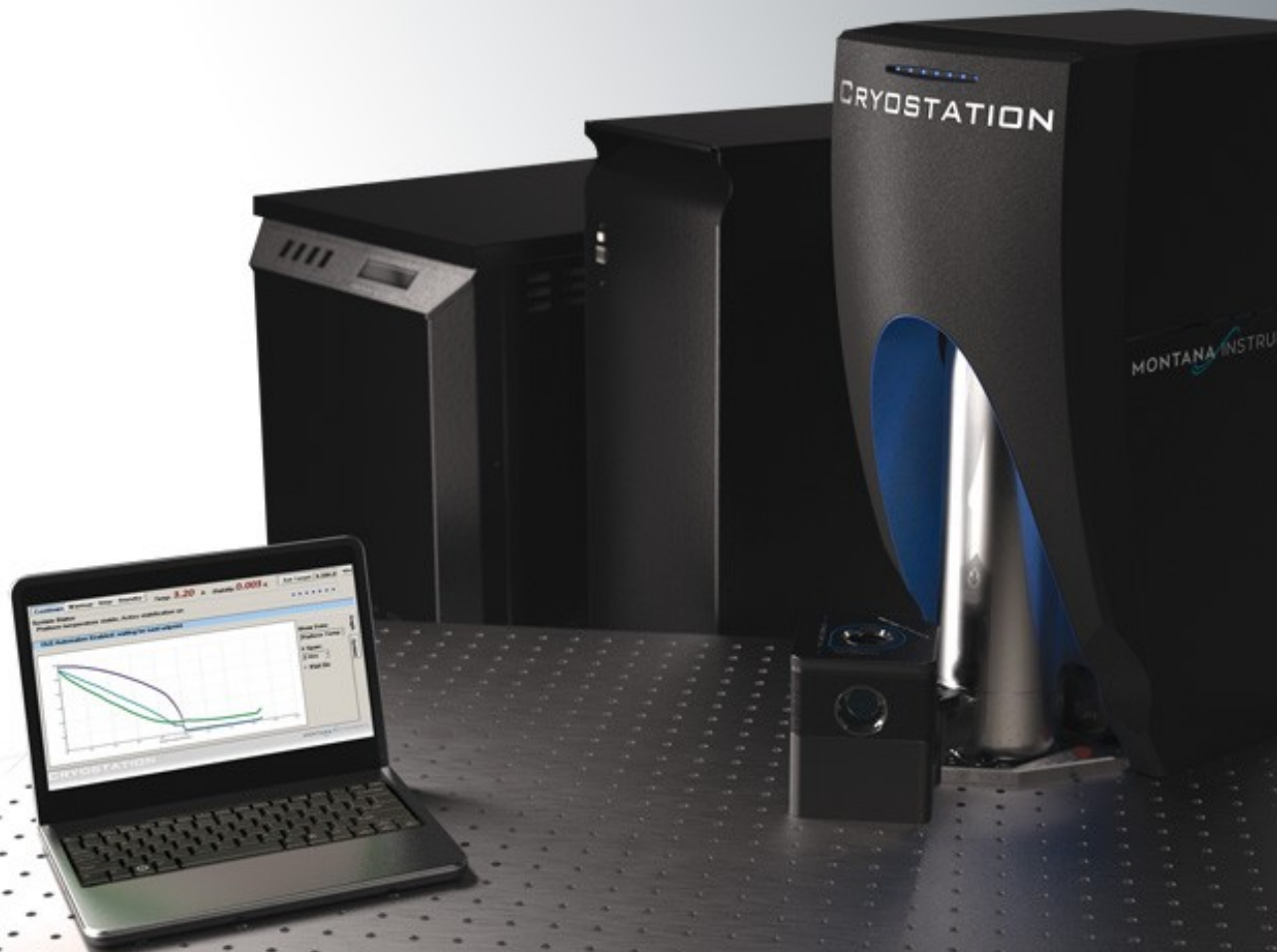


CRYOSTATION

Product Overview



MONTANA INSTRUMENTS

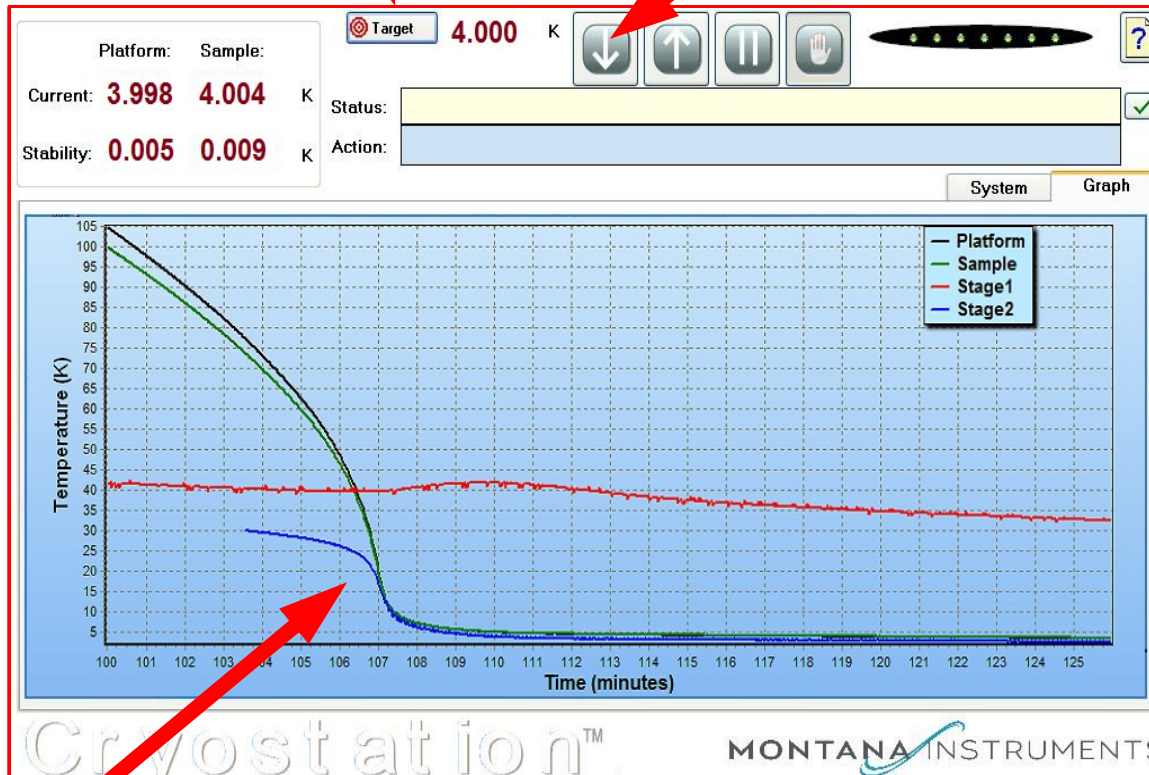
High Performance Cryogenic Optical Measurement Tool

- Wide sample temperature range 3K-350K
- Low vibration < 5 nm peak to peak
- Stable temperature < 10mK peak to peak
- Low drift thermal contraction-canceling mount
- Completely automated temperature control
- Great optical access and ease of use

Simple to Use

1) Set Target

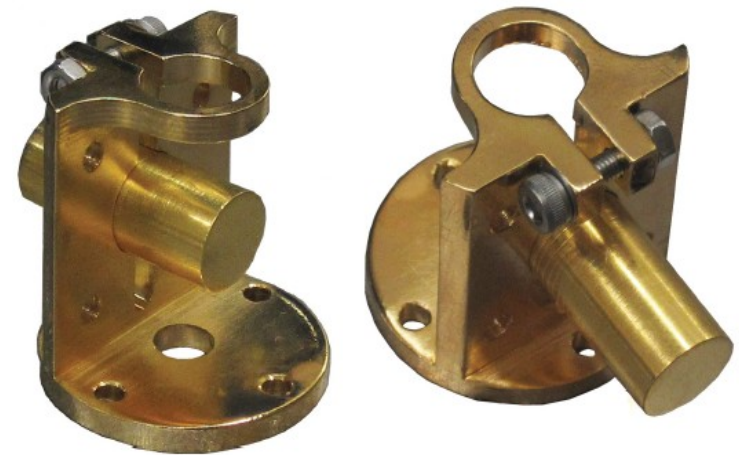
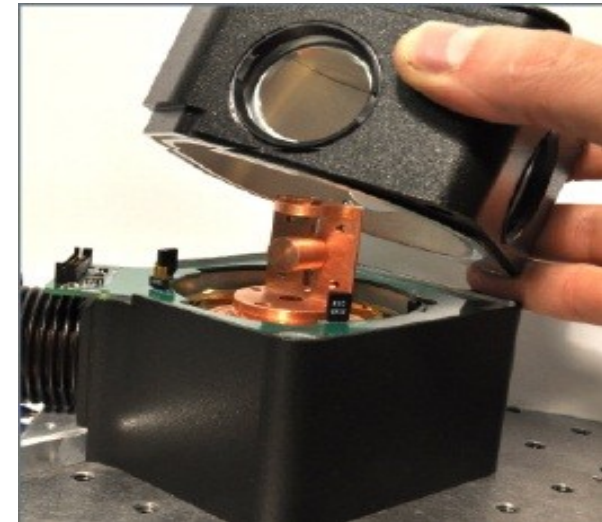
2) Press Cool-Down



Graph shows cool-down time & stability

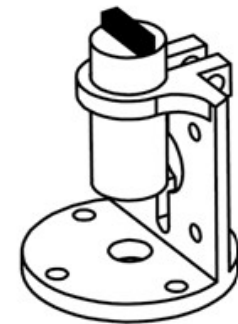
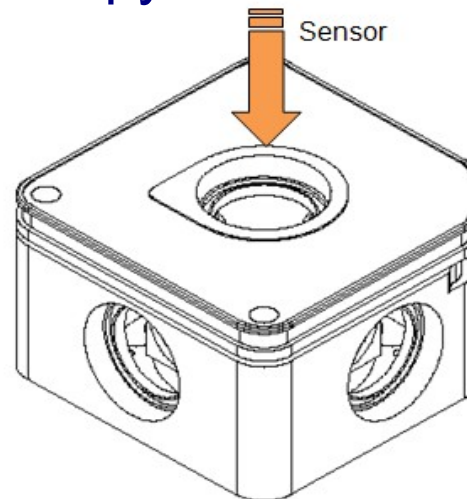
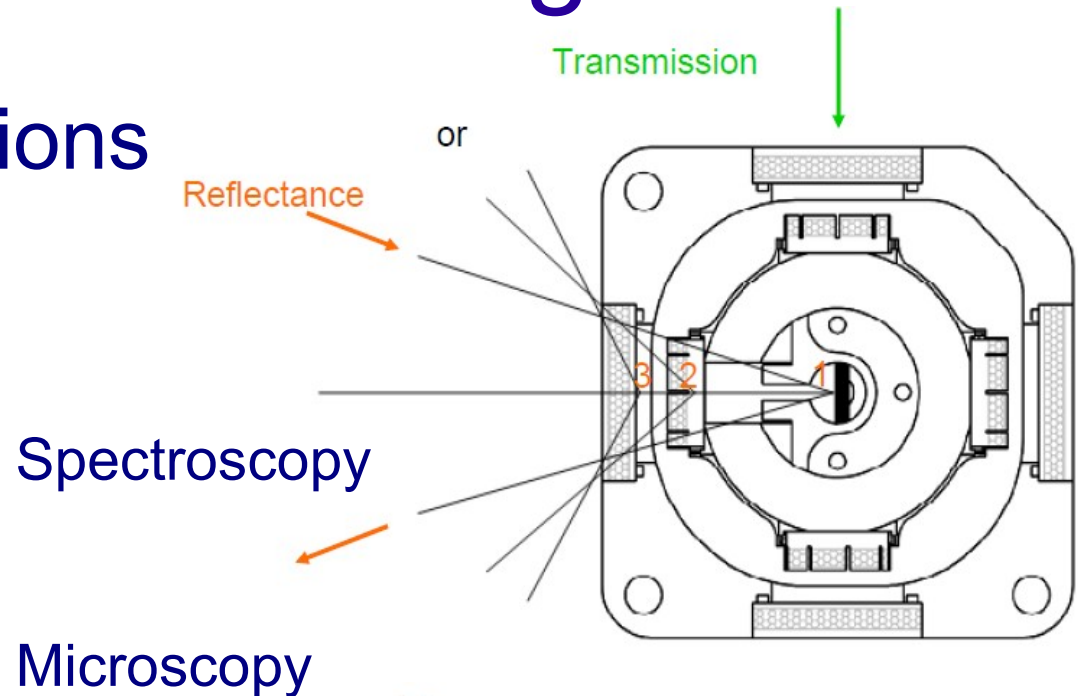
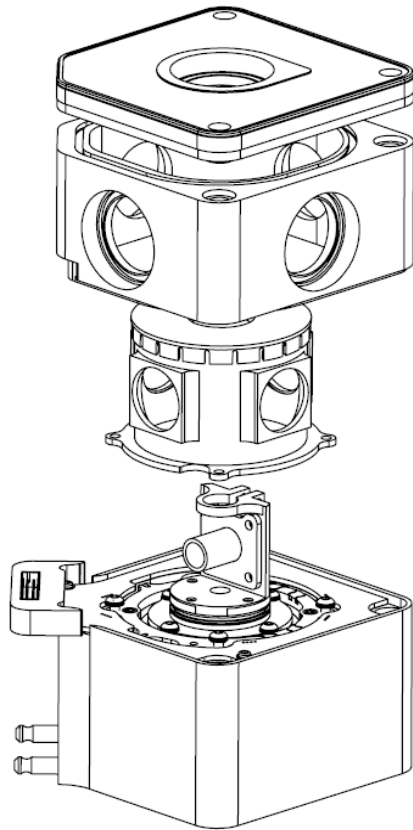
Open Sample Access

- Removable chamber top and sides
- Complete setup and alignment before applying vacuum
- Flexible sample mount
- Electrical feed-throughs



Flexible Optical Configurations

Many configurations possible



Applications

- Materials Science
- Microscopy
- Spectroscopy
- Nanotechnology
- Spintronics
- Magnetic research
- Pressure studies
- MOKE
- X-Ray Diffraction
- Neutron Scattering

Strengths

- Low vibration and stable temperature in one package
- Complete automation will allow new research assistants to immediately perform cryogenic experiments
- Computer control allows automated experiments coordinated with other lab equipment
- Highly accessible sample chamber allows flexibility of experiment design

Sales Contacts

- North America - Montana Instruments

(406) 551-2796

sales@montanainstruments.com

- South America, Europe, Asia

<http://montanainstruments.com/contact.html>

