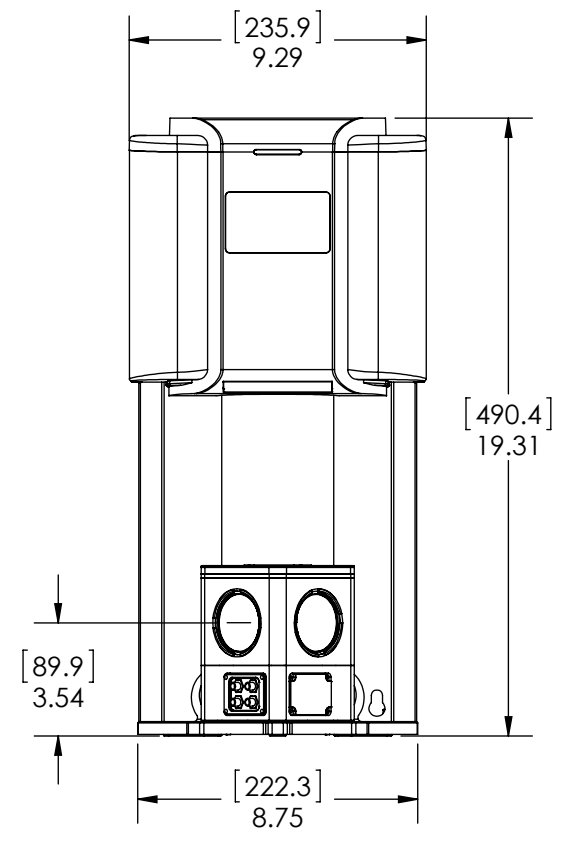
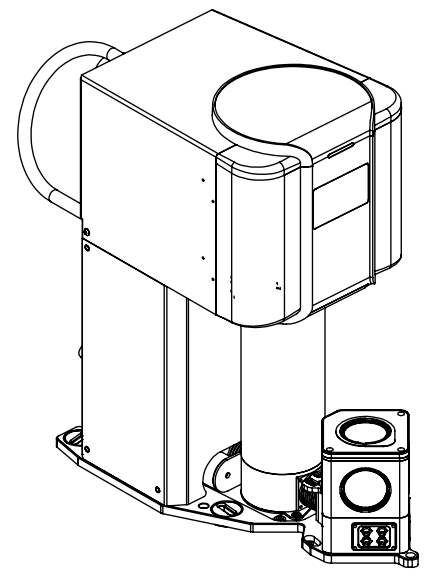
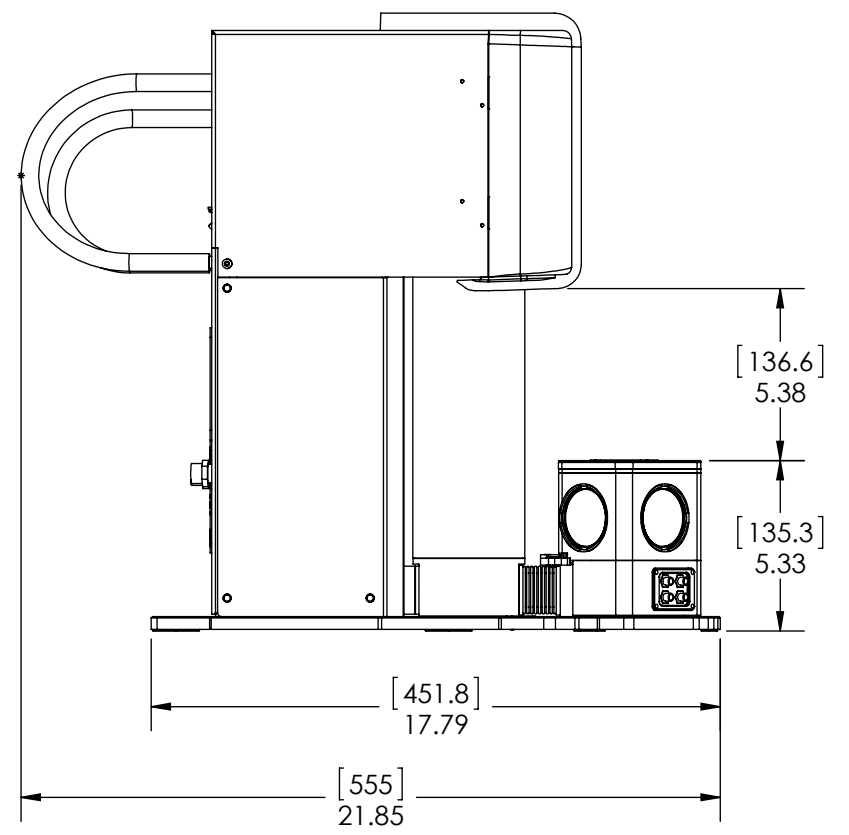
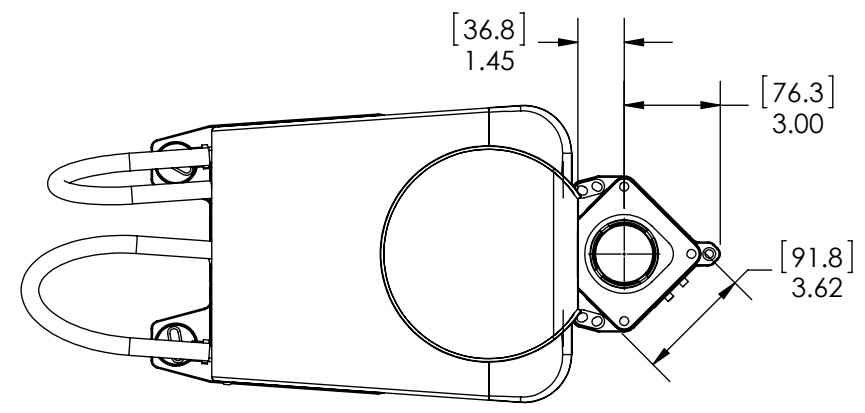


REVISIONS			
REV.	DESCRIPTION	Rev. By	DATE



D
C
B
A

D
C
B
A

NOTICE: THE DIMENSIONS ON THIS DRAWING ARE FOR REFERENCE ONLY. THESE DIMENSIONS ARE BASED ON A STANDARD SYSTEM. OPTIONS AND OTHER CONFIGURATIONS MAY CHANGE THE DIMENSIONS. MONTANA INSTRUMENTS RESERVES THE RIGHT TO CHANGE THESE DIMENSIONS AT ANY TIME.

DIMENSIONS ARE IN INCHES TOLERANCES ARE		APPROVALS	DATE	C2 CRYOSTATION, OVERVIEW DRAWING	
DECIMALS		DRAWN	3/12/2015	FILENAME: CS2_OverAllDims.SLDDRW	
.X ±.05	.XXX ±.005	Joe E.		MONTANA INSTRUMENTS	
.XX ±.01	.XXXX +.0005 -.0000	CHKD		BOZEMAN, MT	
MATERIAL		DESIGNED		SIZE	PART NO.
FINISH				B	
DO NOT SCALE DRAWING				SCALE	REV
PREPARED IN SOLIDWORKS		NEXT ASSY	USED ON	1:6	
				REA NO.	SHEET
					1 OF 3