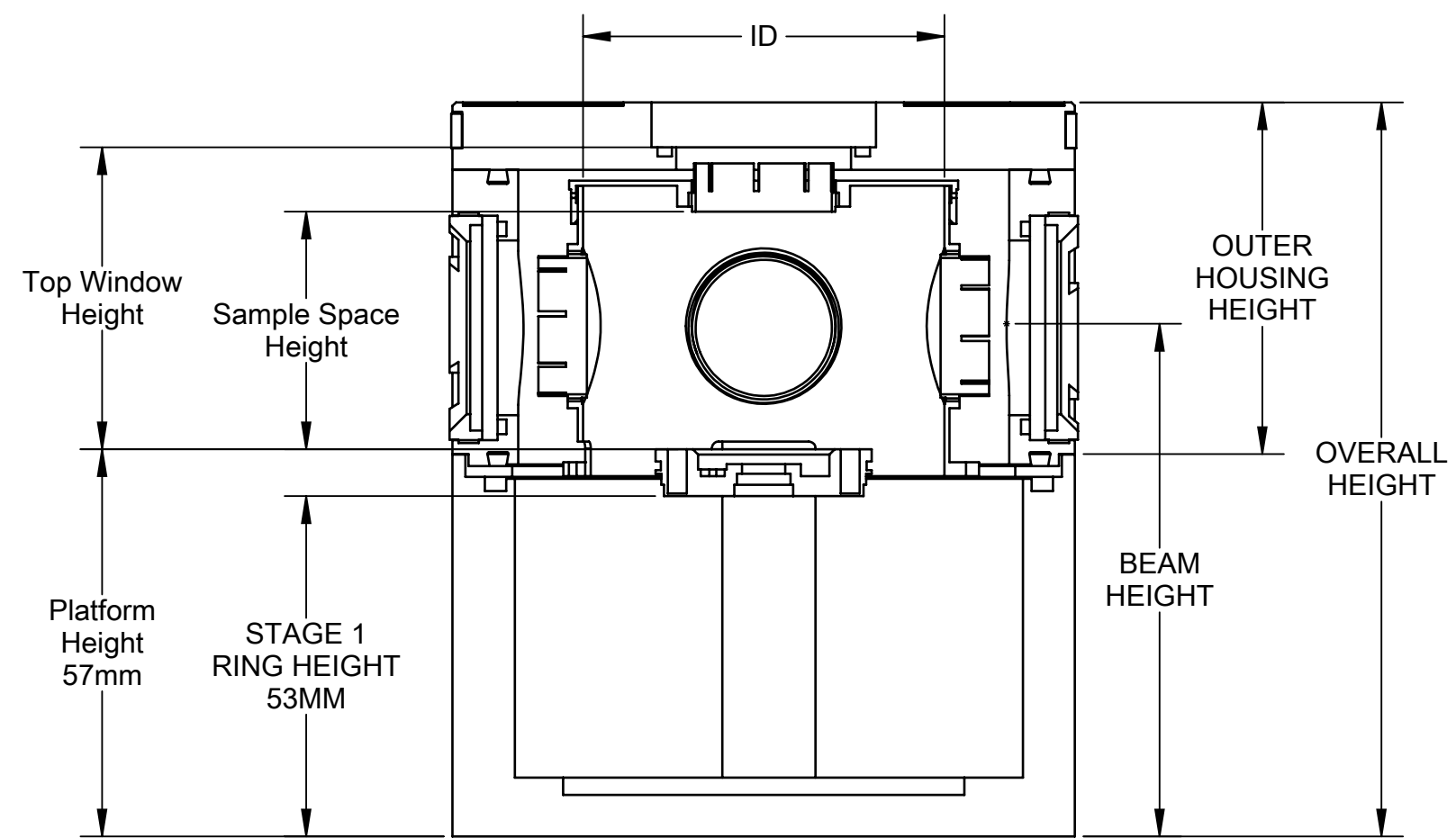
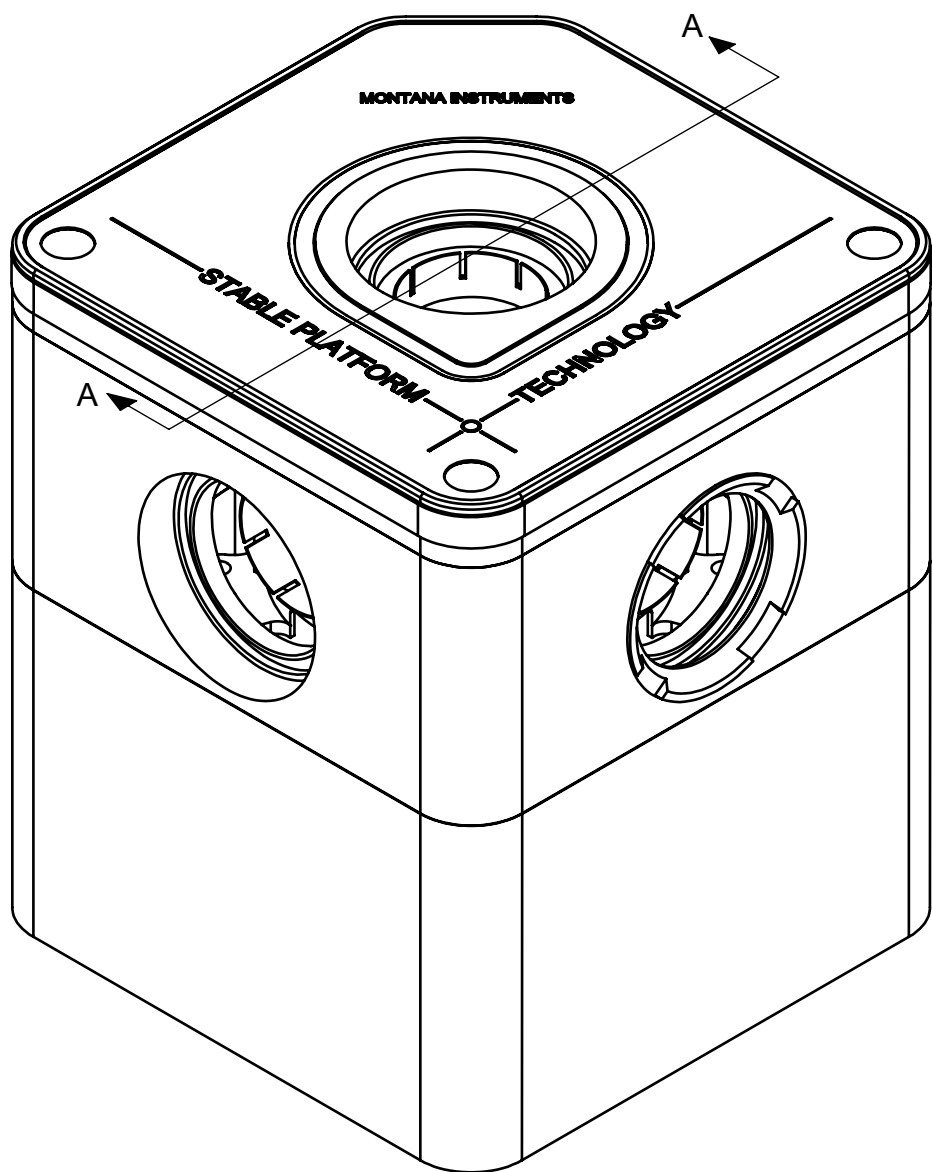


NOTES:

REVISIONS			
LTR	DESCRIPTION	DATE	APPROVED



SECTION A-A

HOUSING STYLE	BEAM HEIGHT	OUTER HOUSING HEIGHT	OVERALL HEIGHT	ID*	SAMPLE SPACE HEIGHT	TOP WINDOW HEIGHT
Std. 30 mm	75	52	107	53	35	44
50 mm	90	79	135	53	63	73
Rotated 45°	90	81	137	53	59	76
100 mm	126	115	172	53	99	108
120 mm	N/A	147	203	53	130	140

DIMENSIONS ARE IN MM TOLERANCES ARE		APPROVALS	DATE
DECIMALS	FRACTIONS		
.X ±.05	.XXX ±.005	DRAWN CALEB S.	4/27/12
.XX ±.01	.XXXX +.0005 -.0000	CHKD	
MATERIAL	ANGLES ±1°	ENGR	
FINISH		REL	
DO NOT SCALE DRAWING			
		NEXT ASSY	USED ON

SAMPLE HOUSING DIMENSIONS			
FILENAME: DOC-131			
MONTANA INSTRUMENTS CORPORATION BOZEMAN, MT			
SIZE	CAGE	DRAWING NO.	
B		DOC-131	
SCALE	REV	REA NO.	SHEET
N/A	A1	A1	1 OF 1

* Allow for a 2mm clearance with radiation shield.