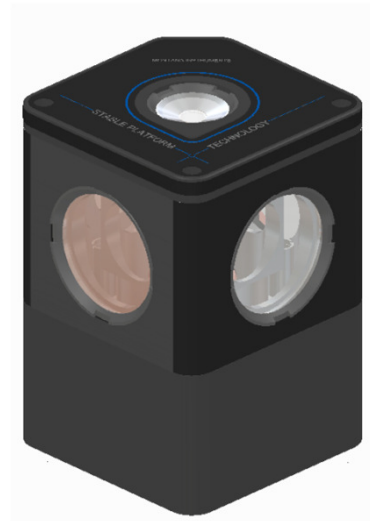
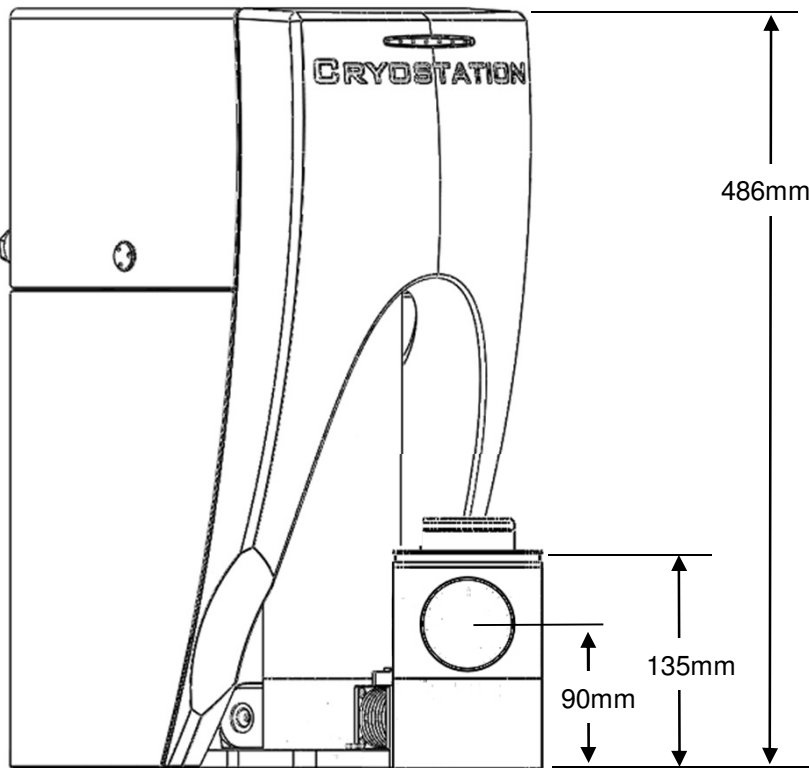
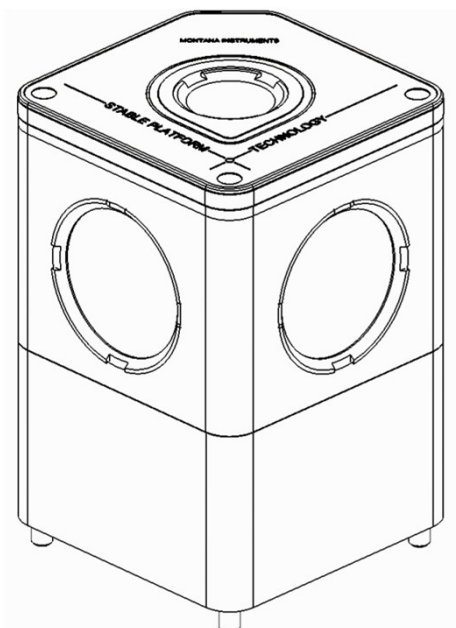


Cryostation 50mm Windows Option	Doc-108
---------------------------------	---------



CRYOSTATION LARGE APERTURE SAMPLE HOUSING



54 DEGREE VIEW ANGLE WITH 50mm CLEAR VIEW WINDOW

Inner view of radiation shield. Inner diameter of body is 60mm, inner height is 63mm. Note that unit has 53mm inner diameter at the base, so it will slip over a 53mm structure. This 53mm diameter is beneath the sample platform. Windows and lid are removable to access sample space during setup if necessary.

